

INSTALLATION INSTRUCTIONS



AFWALL® MILLENNIUM™ FLUSHOMETER WALL-MOUNTED TOILETS

Models 3351.101, 3352.101, 3353.101, 3354.101, 2257.101, 2257.101.NAF, 2633.101, 2634.101

Meets the American Disabilities Act Guidelines and ANSI A117.1 Requirements for the Physically Challenged

Thank you for selecting American Standard – the benchmark of fine quality for over 100 years. To ensure this product is installed properly, please read these instructions carefully before you begin. (Certain installations may require professional help.) Also be sure your installation conforms to local codes.

▲ CAUTION: PRODUCT IS FRAGILE. TWO PEOPLE ARE RECOMMENDED FOR HANDLING TO AVOID BREAKAGE AND POSSIBLE INJURY!

NOTE: For proper operation product requires a minimum of 30 psi working line pressure

RECOMMENDED TOOLS AND MATERIALS

Closet Carrier Support
Putty Knife

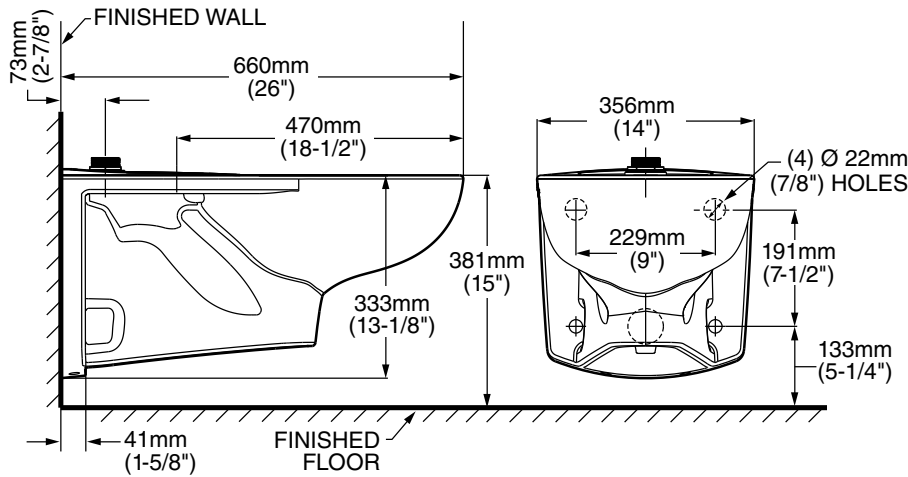
Regular Screwdriver
Adjustable Wrench

Sealant
Tape Measure

Carpenters Level
Flush Valve

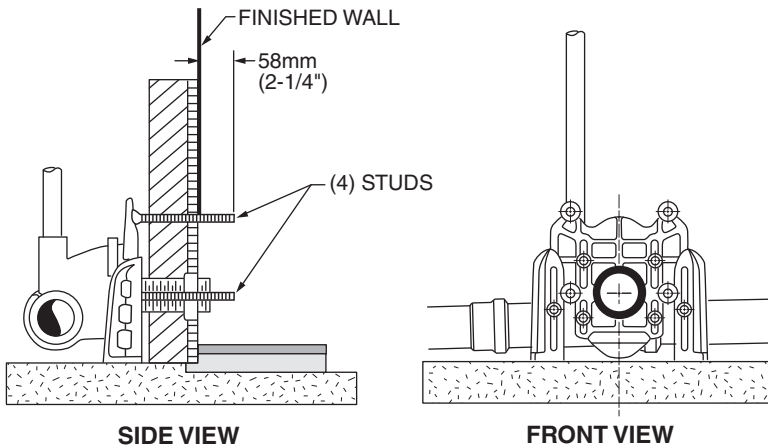
SAVE FOR FUTURE USE

1 Pictures may not exactly define contour of china



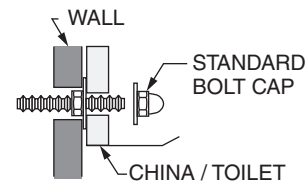
2 FIXTURE MOUNTING

Fixture studs should project 58mm (2-1/4") from face of finished wall.

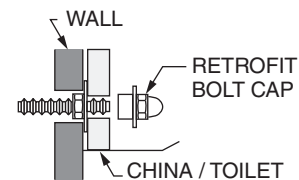


NOTE: If carrier bolt does not extend or is flush with china, use retrofit caps 7381285-200.0070A (sold separately).

STANDARD BOLT CAP



RETROFIT BOLT CAP



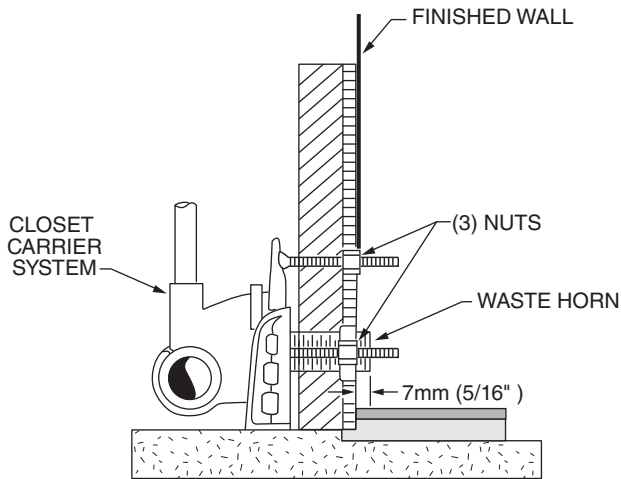
7301962-1000

Product names listed herein are trademarks of AS America, Inc.
© AS America, Inc. 2014

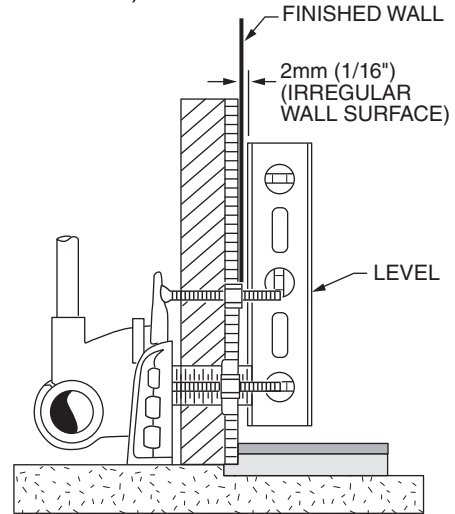
7301962-100 Rev. D

3

- Place back-up nuts on both bottom bolts, and the top left-hand bolt only.
- Adjust the two lower back-up nuts so that front face of nuts is flush with finished wall.
- Adjust waste horn to project 7mm (5/16") from finished wall.

**4**

- Using a level, adjust the top left back-up nut so that it is in the same vertical plane as the lower left back-up nut. (If wall surface is irregular, the three back-up nuts must be positioned to allow a minimum 1/16" (2mm) gap between fixture and wall surface.)

**5**

- NOTE: Bearing nuts and washers must be set to take full loading from the fixture allowing 1/16" (2mm) clearance between fixture and wall.
- Follow support manufacturer's recommended setting of closet outlet connection.
- Place felt or neoprene gasket (wax ring not recommended) on closet outlet.
- When the fixture is installed, closet outlet gasket must be compressed sufficiently to assure a gas and watertight seal.

The following steps require a helper:

- Install bowl on support using cap nuts and fiber washers with the back-up nuts and washers.

DO NOT APPLY TOP RIGHT FIBER WASHER AND CAP NUT UNTIL OTHER CAP NUTS HAVE BEEN FIRMLY TIGHTENED USING A WRENCH.

- Install top right cap nut with fiber washer and run up hand tight. Wrench tighten approximately 1/4 turn.
- Apply sealant to gap between bowl and finished wall. Remove excess sealant.

In the United States:

American Standard Brands
P.O. Box 6820
Piscataway, New Jersey 08855
Attention: Director of Customer Care

For residents of the United States, warranty information may also be obtained by calling the following toll free number: (800) 442-1902

www.americanstandard.com

In Canada:

AS Canada, ULC
5900 Avebury Rd.
Mississauga, Ontario
Canada L5R 3M3
Toll Free: (800) 387-0369
www.americanstandard.ca

In Mexico:

American Standard B&K Mexico
S. de R.L. de C.V.
Via Morelos #330
Col. Santa Clara
Ecatepec 55540 Edo. Mexico
Toll Free: 01-800-839-1200
www.americanstandard.com.mx